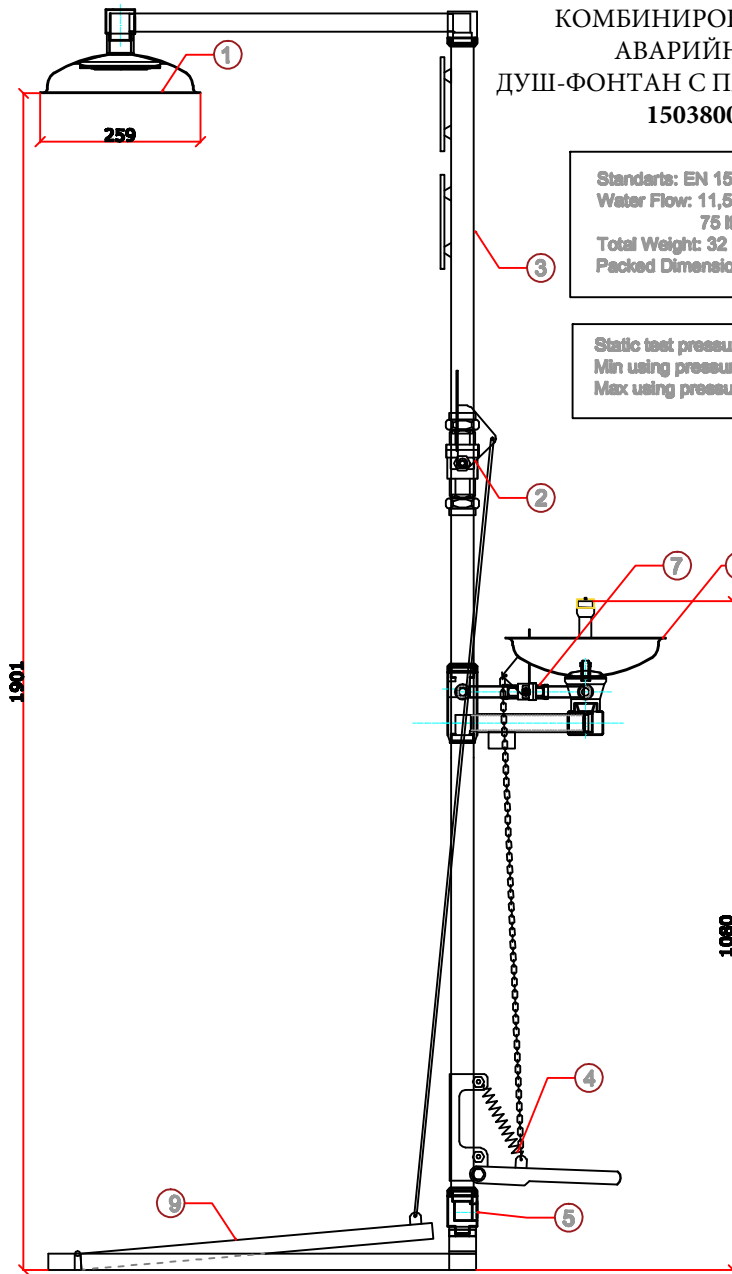


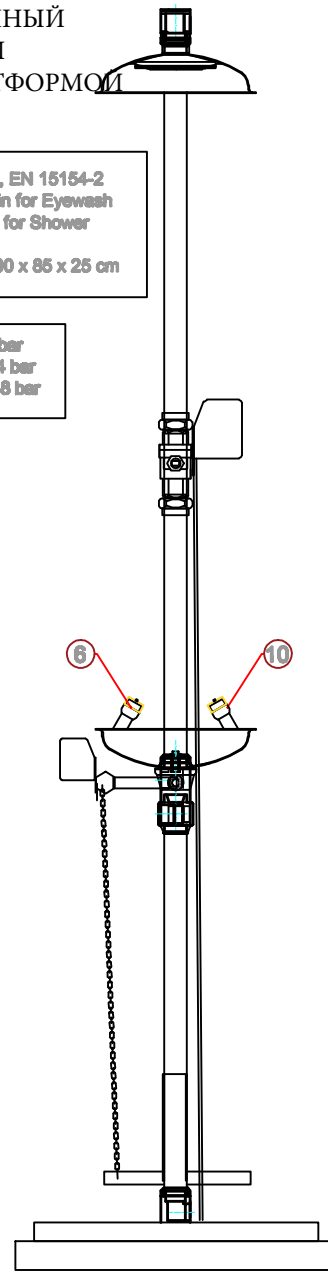
КОМБИНИРОВАННЫЙ  
АВАРИЙНЫЙ  
ДУШ-ФОНТАН С ПЛАТФОРМОЙ  
15038000

Standarts: EN 15154-1, EN 15154-2  
Water Flow: 11,5 lt / min for Eyewash  
75 lt / min for Shower  
Total Weight: 32 kgs  
Packed Dimensions: 100 x 85 x 25 cm

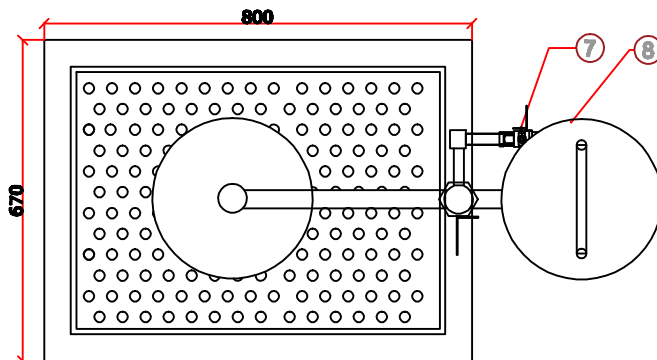
Static test pressure : 7 bar  
Min using pressure : 1,4 bar  
Max using pressure : 2,8 bar



-side view-



-front view-



-top view-

| NO. | DESCRIPTION                 | NOTES |
|-----|-----------------------------|-------|
| 10  | Spray Nozzles               |       |
| 9   | Platform control for Shower |       |
| 8   | Eyewash Bowl                |       |
| 7   | 1/2" Ball Valve             |       |
| 6   | Dust Cover on Eyewash Spray |       |
| 5   | Water Inlet 1"              |       |
| 4   | Foot Control for Eyewash    |       |
| 3   | Pipes                       |       |
| 2   | 1" Ball Valve               |       |
| 1   | Shower head Bowl (Ø300mm)   |       |

|  |  |   |                                    |            |                |   |
|--|--|---|------------------------------------|------------|----------------|---|
|  | REV. DATE  | DESCRIPTION   | DESIGNED                           | CHECKED    | APPROVED       | <b>CUSTOMER</b><br><br><b>PRODUCT</b><br><b>15038000</b>    |
|  | FIRST ISSUE<br>88 FA ST                            |   |                                    |            |                |   |
| STATUS<br>FOR INFORMATION <input type="checkbox"/> FOR REVIEW <input type="checkbox"/> FOR APPROVAL <input type="checkbox"/> | FOR RFO/DESIGN <input checked="" type="checkbox"/> | DESIGNED <input checked="" type="checkbox"/><br>CHECKED <input checked="" type="checkbox"/><br>APPROVED <input checked="" type="checkbox"/> | ORIGINAL EDITION<br>88<br>FA<br>ST | SIZE<br>A4 | SCALE<br>1/100 | DRAWING NUMBER/DATE:<br><b>37161</b>                        |
| SHEET: <b>1</b><br>OF: <b>1</b>  |  |   |                                    |            |                | DRAWING NAME:<br>Комбинированный аварийный душ с платформой |